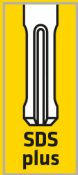


DUST EXTRACTOR SHARP



TUNGSTEN CARBIDE EXTRACTION DRILL BITS FOR BRICKS WITH SDS-plus SHANK



Oberfläche: Sonderbehandlung
Surface: Special treatment
Superficie: Tratamiento especial

Range of application:

Special drill bits for shatter-proof rotary drilling of solid and cavity bricks as well as tiles. The unique cutting geometry prevents the cavities from breaking and thereby ensures a secure dowel hold.



Shatter-proof drilling /
secure dowel hold



Optimum drilling performance
thanks to a special point shape



Secure



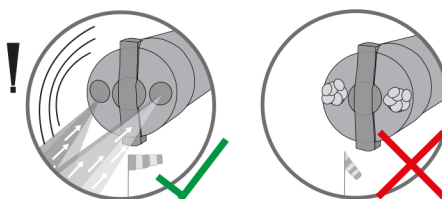
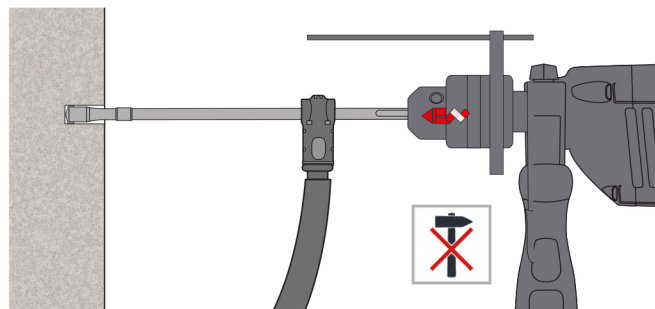
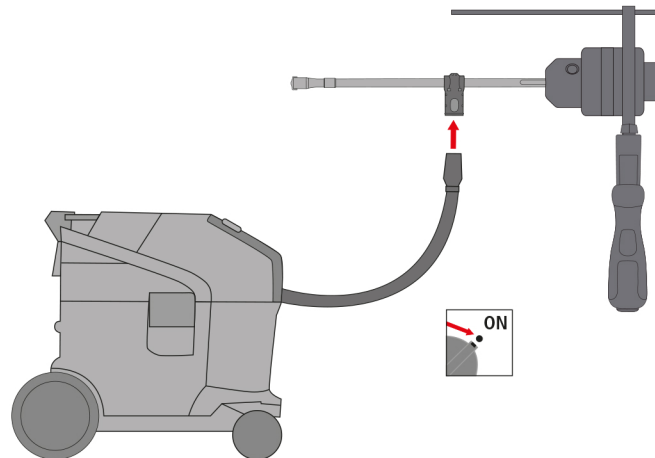
- // **The new 2-in-1 drill bit:** Drilling and dust extraction in a single step
- // **Clean, dust-free drill holes** for inserting chemical anchors
- // **Perfect** for working in critical areas that must be kept free of dust
- // **Saves annoying cleaning of the surroundings**
- // **Protects the user** from damage to health
- // **Removes the drilling dust where it originates at the drill tip!**



Single dimensions

NEW

Ø mm	l1 mm	l2 mm	Code 580 Art.-Nr.	Inh. Cont.	
6,00	220	100	00 680006001 00	1	1
8,00	270	150	00 680008001 00	1	1
10,00	270	150	00 680010001 00	1	1
12,00	320	200	00 680012001 00	1	1
14,00	370	250	00 680014001 00	1	1
16,00	370	250	00 680016001 00	1	1



**Automatische
Schlag-Stopp-Funktion**
 Automatic
hammer-stop function
 Función automática
de parada de percusión

